



FC6 series

Photoelectric fork for objects detection with regulation



features

- Simple and accurate adjustment manually by +/- buttons
- Infrared emission; LASER emission class 1
- Metal housing
- Light/Dark switching, selectable by button
- Minimum size object detection 0,2 mm (FC6I) and 0,05 mm (FC6L)
- -20...+60 °C temperature range
- M8 connectors (4pins): PNP/NPN, LO/DO
- Switching frequency 10 kHz



web contents



- Application notes
- Photos
- Catalogue / Manuals



fork for objects detection with regulation

code description

FC6 L / 0 B - 03 04 - 1 F

series	FC6	Fork for objects
emission	L	LASER emission (670 nm)
	I	LED Infrared emission
output	0	State (LO/DO) selectable
output	B	Digital output (NPN/PNP)
width slit detection	03	Width slit detection 30 mm
	05	Width slit detection 50 mm
	08	Width slit detection 80 mm
	12	Width slit detection 120 mm
depth	04	Depth slit detection 42 mm
	06	Depth slit detection 59 mm
housing	1	Metal housing - Aluminum
plug	F	Plug M8 4 pin


available models

supply	installation	width (mm)	depth (mm)	FC6I, NPN - PNP, LO/DO selectable	FC6L, NPN - PNP, LO/DO selectable
12...24 Vdc	M8 4 pins	30	42 mm	FC6I/0B-0304-1F	FC6L/0B-0304-1F
		50	59 mm	FC6I/0B-0506-1F	FC6L/0B-0506-1F
		80		FC6I/0B-0806-1F	FC6L/0B-0806-1F
		120		FC6I/0B-1206-1F	FC6L/0B-1206-1F

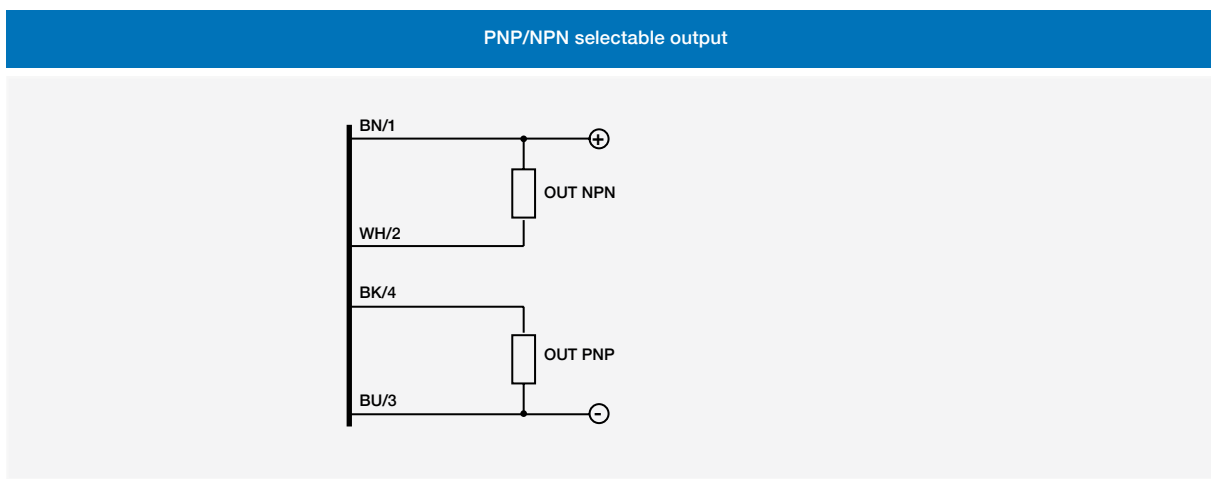
FC6



fork for objects detection with regulation

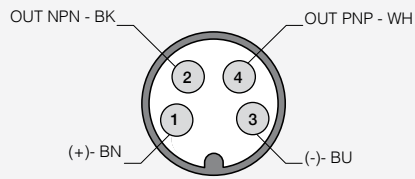
	FC6L/**_**_**	FC6I/**_**_**
		
nominal sensing distance	30...120 mm	
minimum detectable object	0.05 mm	0.2 mm
emission	red LASER 670 nm, modulated, class 1	infrared LED, modulated
external lighth interference	10,000 lux (5,000 lux incandescent lamp)	
operating voltage	12 ... 24 Vdc (with protection against reverse polarity)	
max ripple content	10%	
no-load supply current	40 mA	
load current	100 mA	
output voltage drop	≤ 2 V @ IL = 100 mA	
switching frequency	10 kHz	
power supply protections	inverse-polarity protected short-circuit output protected	
temperature range	- 20 ...+ 50 °C	- 20 ...+ 60 °C
storage temperature	- 30 ...+ 80 °C	
protection degree	IP65 (EN60529)	
housing material	painted aluminium and polyamide/glass	
plug	M8 4 pin	
weight (approximate)	55...128 g	

electrical diagrams of the connections



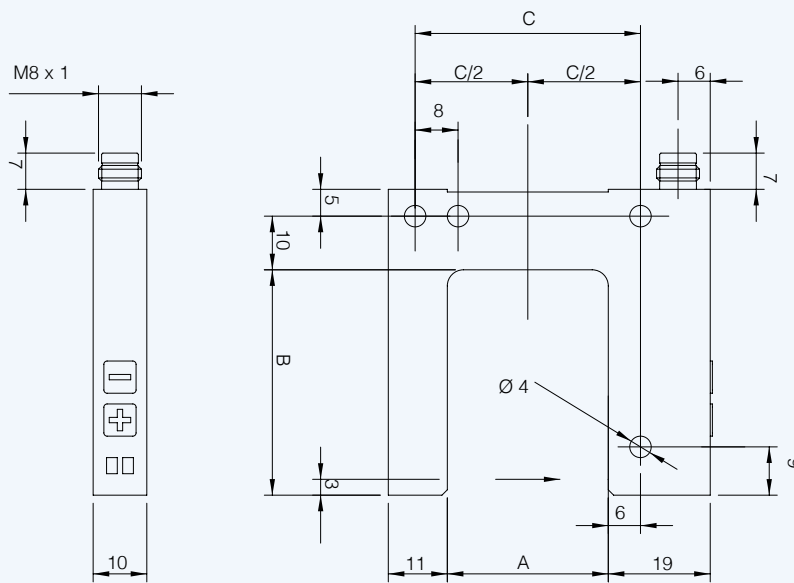


M8 FC6L/**_**_** FC6I/**_**_**



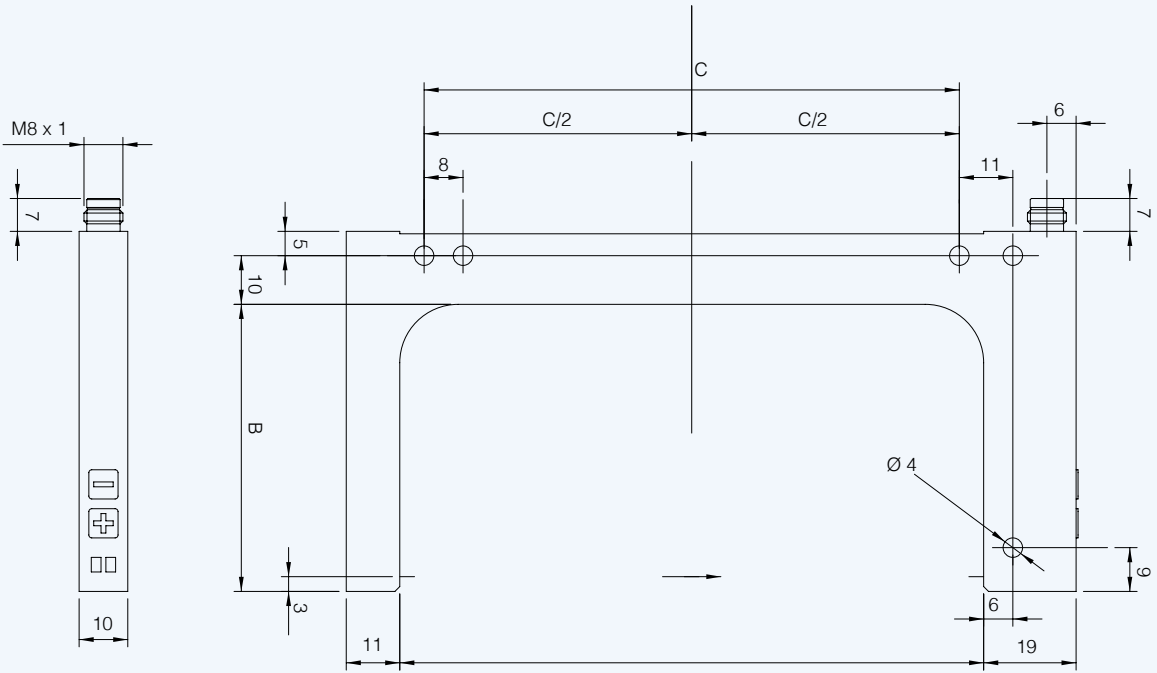
dimensions (mm)

FC6I/**-03**-1F

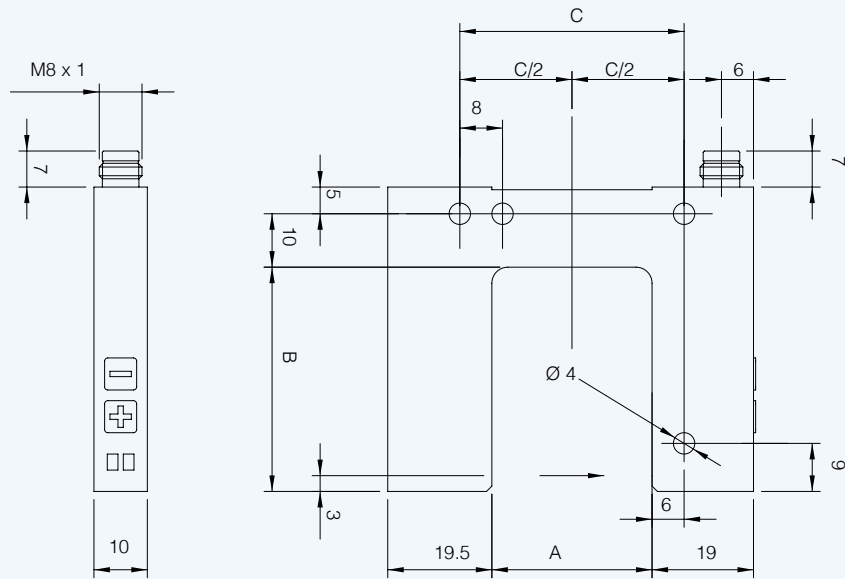


models	A width (mm)	B depth (mm)	C
FC6/**-03**-**	30	42	42
FC6/**-05**-**	50		40
FC6/**-08**-**	80	59	70
FC6/**-12**-**	120		110

FC6L/**-03**-1F

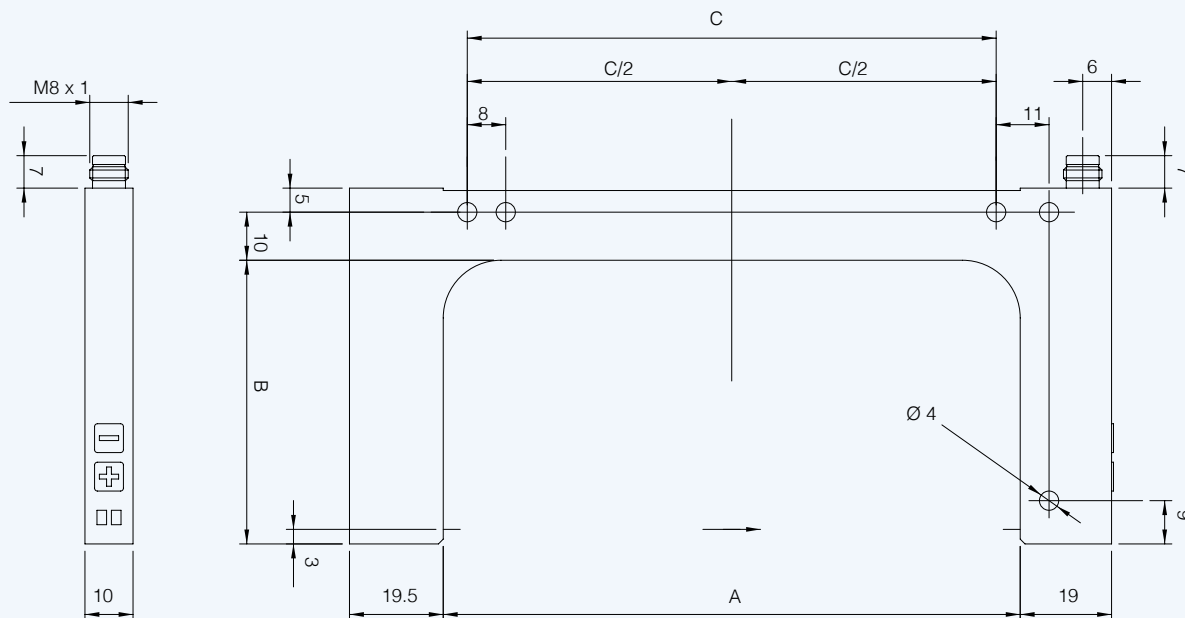


FC6L/030-**-**





FC6L/**-1F



models	A width (mm)	B depth (mm)	C
FC6**/**-03*-**	30	42	42
FC6**/**-05*-**	50		40
FC6**/**-08*-**	80	59	70
FC6**/**-12*-**	120		110