



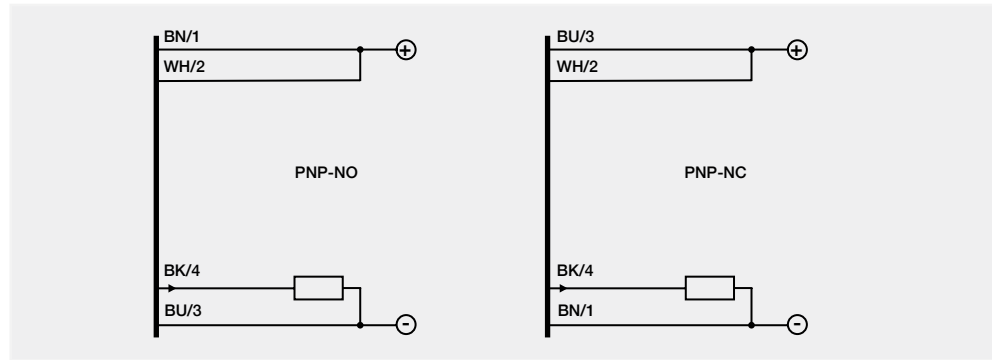
	PK3/00-1*	PK3/00-2*
		
nominal sensing distance S _n	5 mm	8 mm
operating distance	0...4 mm	0...6.5 mm
hysteresis	1...20%	
standard target	18x18 mm FE 360	
repeatability	5%	
operating voltage	10...30 Vdc	
output type	NPN/PNP - NO/NC	
max ripple content	≤ 10%	
output current	≤ 100 mA	
output voltage drop	≤ 1.2 V @ 100 mA	
no-load supply current	30 mA	
leakage current	10 µA	
switching frequency	0.3 kHz	
power on delay	100 ms	
ambient temperature range	-25...+70 °C	
temperature drift of S _r	10%	
short-circuit protection	●	
voltage reversal protection	●	
induction protection	●	
shocks and vibrations	IEC 60947-5-2 / 7.4	
weight	58 g connector 130 g cable	
LEDs	output state	
protection degree	IP 67 ⁽¹⁾ (EN60529)	
EMC	in conformity with the EMC Directive according to IEC 60947-5-2	
housing material	nickel-plated brass (stainless steel for W version)	
active head material	PBT	
connection	cable 2 m PVC - plug M12	
tightening torque	25 Nm	

⁽¹⁾ Protection guaranteed only with plug cable well mounted

electrical diagrams of connections

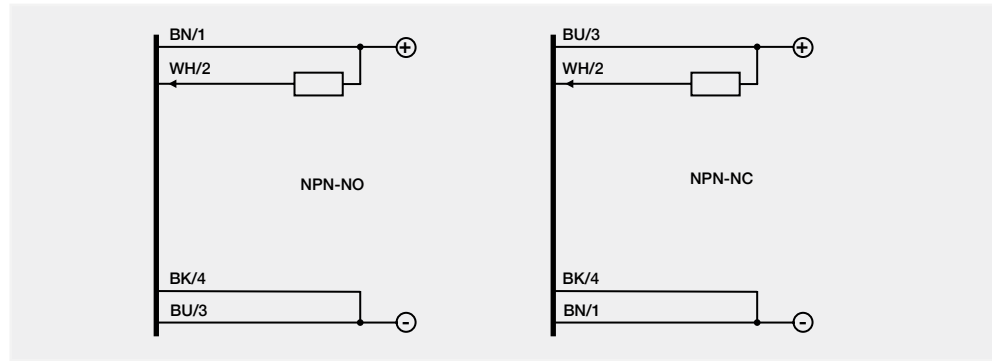
PK3 DECOU versions

PNP-NO/NC



- BN** brown
- BU** blue
- BK** black
- WH** white

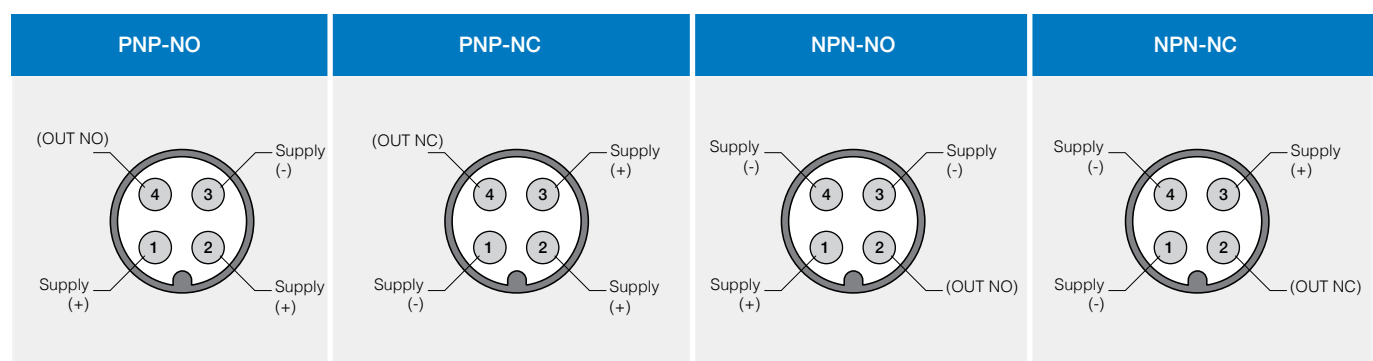
NPN-NO/NC



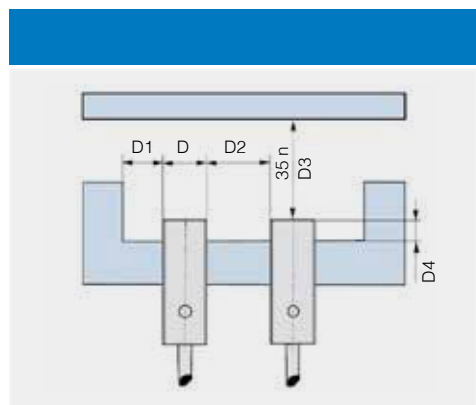
- BN** brown
- BU** blue
- BK** black
- WH** white

plug

PK3 DECOU[®] versions



installation



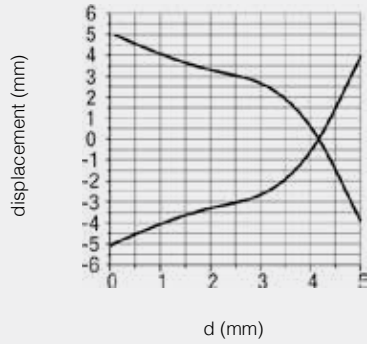
code	D4	D1	D2	D3
PK3/00-1*	≥ 3.6 mm	≥ 9 mm	≥ 18 mm	≥ 15 mm
PK3/00-2*	≥ 16 mm	≥ 18 mm	≥ 36 mm	≥ 24 mm



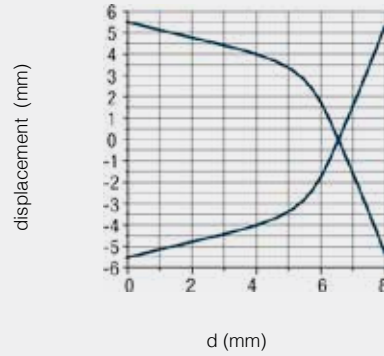
response diagram

M18 DECOUT®
cylindrical

PK3/00-1*

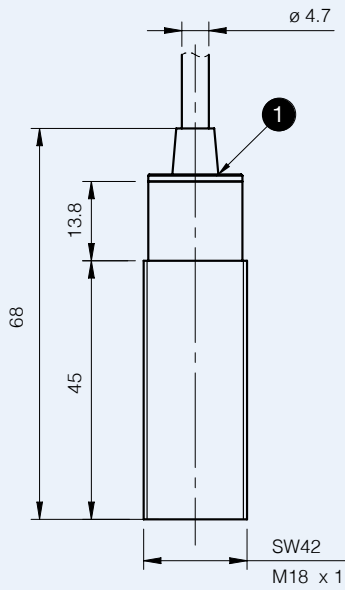


PK3/00-2*

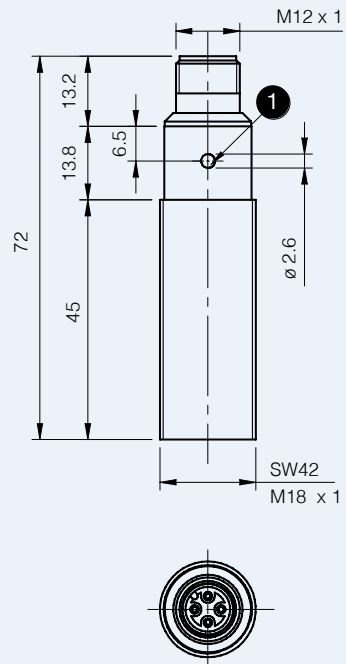


dimensions (mm)

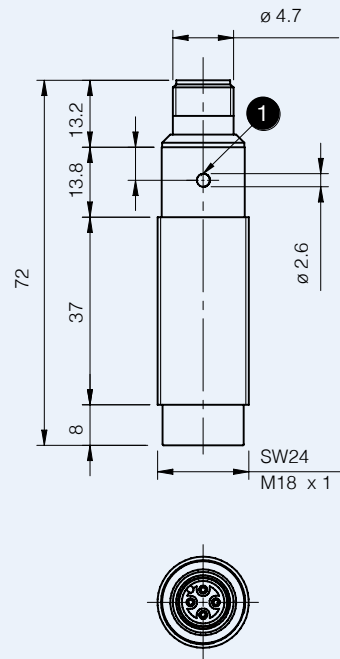
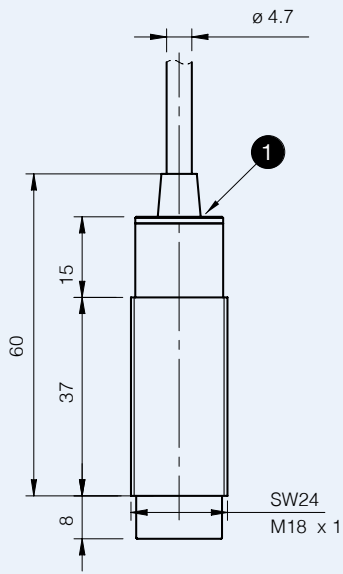
PK3/00-1A



PK3/00-1H



1 LED



1 LED

dimensions (mm)

accessories included

