

## Elastic Couplings

Essential parts for motion transmission to the encoder shaft.

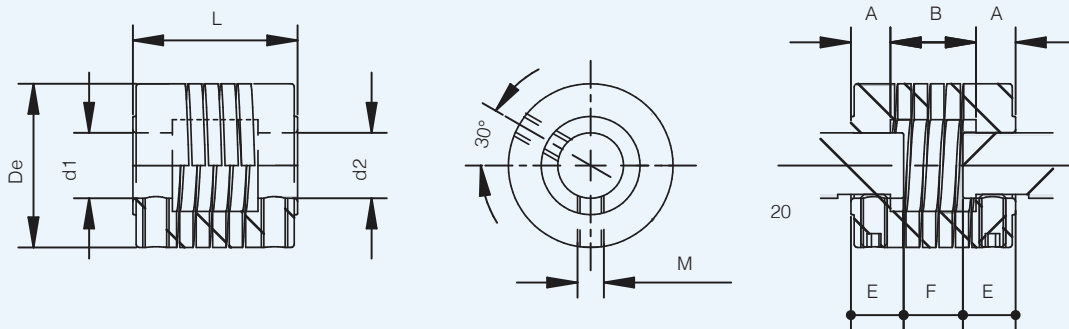
- aluminium alloy made
- composed by a cylindrical body on which there is a helical groove that determines:
  - torsional rigidity
  - ability to compensate for slight shaft misalignments
  - ability to absorb shaft axial play
- supplied with different coupling diameters

### code description

|   | MDG | 25                           | A | 6 | /8 |
|---|-----|------------------------------|---|---|----|
| series                                      | MDG | precision elastic coupling   |   |   |    |
| model                                       | 20  | (see table) 20               |   |   |    |
|   | 25  | (see table) 25               |   |   |    |
|   | 30  | (see table) 30               |   |   |    |
| shaft fixing type                           | A   | shaft fixing with grub screw |   |   |    |
| hole diameter d1                            | 6   | ø 6 mm                       |   |   |    |
|   | 8   | (mod. G25 / G30) ø 8 mm      |   |   |    |
|   | 9   | ø 9,52 (3/8") mm             |   |   |    |
|   | 10  | ø 10 mm                      |   |   |    |
| hole diameter d2<br>(do not add if d2 = d1) | 6   | ø 6 mm                       |   |   |    |
|   | 8   | (mod. G25 / G30) ø 8 mm      |   |   |    |
|   | 9   | ø 9,52 (3/8") mm             |   |   |    |
|   | 10  | ø 10 mm                      |   |   |    |



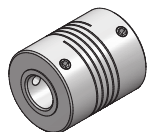
Elastic Couplings



standard couplings

Type of material:  
aluminium

For other holes (d1-d2)  
contact our office  
directly



| standard couplings | De   | L  | d1 = d2      |          | A           | B | M  | E  | F | Torque |         |
|--------------------|------|----|--------------|----------|-------------|---|----|----|---|--------|---------|
| MDG 20 A 6         | ø 20 | 20 | +0.1<br>-0.1 | ø 6H7    | +0.012<br>0 | 6 | 8  | M3 | 7 | 6      | 0.25 Nm |
| MDG 25 A 8         | ø 25 | 25 | +0.1<br>-0.1 | ø 8H7    | +0.015<br>0 | 7 | 11 | M4 | 8 | 9      | 0.4 Nm  |
| MDG 25 A 9         | ø 25 | 25 | +0.1<br>-0.1 | ø 9,52H7 | +0.015<br>0 | 7 | 11 | M4 | 8 | 9      | 0.4 Nm  |
| MDG 25 A 10        | ø 25 | 25 | +0.1<br>-0.1 | ø 10H7   | +0.015<br>0 | 7 | 11 | M4 | 8 | 9      | 0.4 Nm  |
| MDG 30 A 10        | ø 25 | 30 | +0.1<br>-0.1 | ø 10H7   | +0.015<br>0 | 8 | 14 | M4 | 9 | 12     | 0.4 Nm  |

For proper installation it is recommended to insert shafts in the coupling observing "E" dimensions.